



Make a winning move

**With the new range of
capacitors from Deki**

What is Deki?

Deki Electronics is like a bonsai.

Small yet complete.

We have complete range of film capacitors like plastic film capacitors, motor run capacitor, fan motor capacitor, mylar capacitor, pulse & power capacitors with a choice of technologies.

**Every branch and twig shaped or eliminated
until the chosen image is achieved.**

Clear focus on quality and providing solutions.

**The image maintained and improved
by constant pruning and trimming.**

Commitment to training and knowledge enhancement.



Deki Snapshot



Year of establishment

1984 in Technical Collaboration with Okaya Electrical Industries, Japan.



Annual Production Capacity

862 million pieces per annum - the largest film capacitor manufacturer in India.



Technologies available

Film foil inductive and non-inductive construction, metallised non-inductive construction.



Types of capacitors

Plain polyester / metallised polyester, plain polypropylene / metallised polypropylene, plain & metallised polypropylene mixed.



Encapsulation

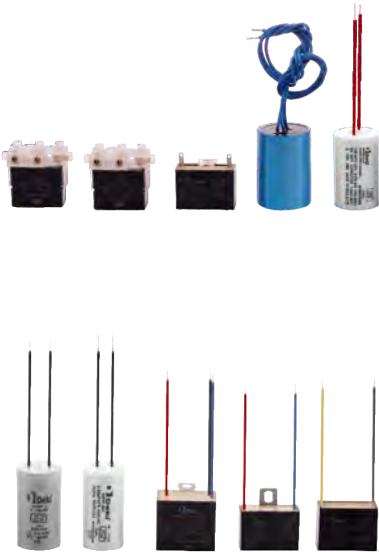
Wet / powder epoxy coating, box and axial.



Pitch of capacitors

5 mm to 37.5 mm in epoxy coating as well as box.

Fan Capacitors



Features

- Self-healing properties
- Low dissipation factor
- High insulation resistance
- Available in narrow capacitance tolerances (up to $\pm 1\%$) complying with BEE star rating
- IS 1709 approved
- Long life
- Protected against harsh environment
- RoHS compliant

Applications

- General sine wave applications, mainly as motor run capacitor for ceiling fans, table fans, pedestal & wall fans, exhaust fans, Industrial fans & blowers.

Range

- 0.68 to 4.0 μ F in different shapes and sizes
- Available in PP, aluminium & PA6 encapsulation

Motor Run Capacitors

Features

- Self-healing properties
- Minimal internal power losses
- High insulation resistance
- IEC 60252-1 & IS 2993 compliance
- Long life
- Wide climatic category
- RoHS compliant

Applications

Single phase motors, submersible pumps, monoblock pump sets, industrial blowers, etc.

Range

- 1.0 to 100 μ F in different sizes
- Available in both PP and aluminium encapsulation in different version of terminals like wire, fast-on terminals



Washing Machine Capacitors



Features

- Self-healing properties
- Available with S0 & S3 safety features
- Made with metallised polypropylene film with in-built fuses ensuring safety in S3 versions
- IEC 60252-1 & IS 2993 compliance
- Available in different class of operation (A, B, C & D)
- Integrated with mounting groove
- RoHS compliant

Applications

General sine wave applications, mainly as motor run capacitor for washer.

Range

- 5.0+2 to 12+6 μF
- Customised designs according to customer requirements
- Available in both PP and aluminium encapsulation

Air Conditioning Capacitors

Features

- Available with burst-proof technology in metal top assembly
- Low dissipation factor
- IEC 60252-1 & IS 2993 compliant
- Inbuilt pressure sensitive interrupter
- Single or dual capacitors for different applications
- Best quality tin plated terminals
- RoHS compliant

Applications

General sine wave applications, mainly for air conditioners, refrigerators, etc.

Range

- 20 to 80 μF in single and 20+2 to 60+10 μF in dual capacitor with 440Vac rating
- Customized designs available on request



Motor Start Capacitors



Features

- Self-healing properties
- Low dissipation factor and long life
- IS 2993 compliant
- Compact designs
- Available in narrow tolerances
- Wide climatic category
- RoHS compliant

Applications

Mainly for motor start applications like motor starters, monoblock pump sets, submersible pump starters, industrial blowers, compressors, etc.

Range

- 30 to 120 μF with different duty cycles
- Customised ratings available on request

Metallised Polyester Film Capacitors

Features

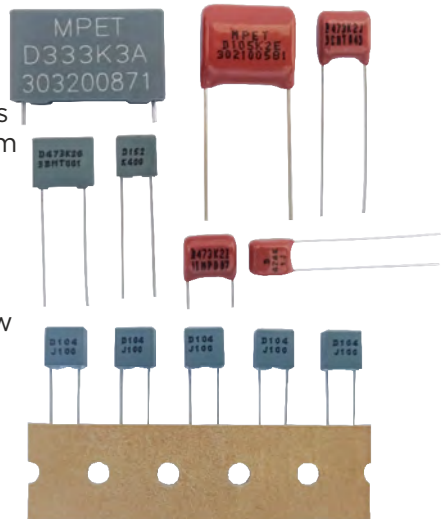
- Self-healing properties
- Small size for compact designs
- Suitable for high temperature applications
- IEC 384-2 and CACT approved for telecom applications from 10 to 27.5 mm pitch
- RoHS compliant

Applications

For blocking, bypassing, filtering, timing, coupling and decoupling, interference suppression in low voltage applications, low pulse operations.

Range

- 0.001 to 25.0 MFD
- 50 VDC to 1000 VDC
- 5.0 mm to 27.5 mm pitch
- Tolerance levels: $\pm 2\%$ to $\pm 10\%$



Box and dip types

Axial Capacitors



Features

- Self-healing properties
- Available in polyester and polypropylene dielectrics
- Compact flat or round designs as per customer requirements
- Polyester dielectric for high temperature applications
- Polypropylene dielectric for high frequency applications with low dissipation factor and high insulation
- RoHS compliant

Applications

Polyester dielectric ideal for blocking, bypassing, filtering, timing, coupling, and decoupling in low pulse operations.

Polypropylene dielectric suitable for smoothening applications like active power factor correction, LED drivers, boost PFC, flyback PFC, audio circuits, integrating and filter circuits, SMPS and timing circuits.

Range

- Polyester dielectric: 0.01 to 25.0 MFD, 100 VDC to 630 VDC
- Polypropylene dielectric: 0.0047 to 25.0 MFD, 250 VDC to 1000 VDC
- Tolerance levels: $\pm 2\%$ to $\pm 10\%$

Metallised Polypropylene Film Capacitors

Features

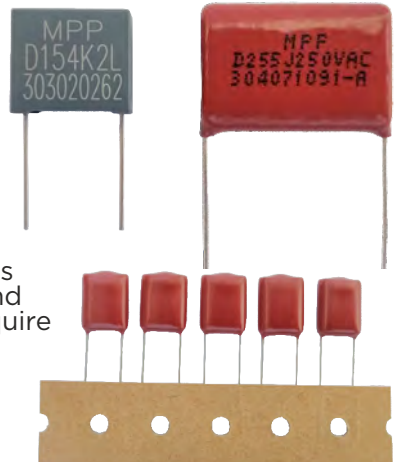
- Self-healing properties
- Low dissipation factor
- High insulation resistance
- Compact design
- Long life for extended use
- RoHS compliant

Applications

Ideal for use in applications where steep pulses occur, such as SMPS, motor control circuits, and S-correction. Suitable for applications that require reliable and efficient energy transfer.

Range

- 0.001 to 25.0 MFD
- 63 VDC to 3000 VDC
- 7.5 mm to 37.5 mm pitch
- Tolerance levels: $\pm 2\%$ to $\pm 10\%$



Box and dip types

Interference Suppression Capacitors Class X2



Features

- Self-healing properties
- Metallised polypropylene film for low dissipation factor and long life
- Available in normal and humidity robustness grade with enhanced reliability
- UL and ENEC approved
- RoHS compliant

Applications

For across-the-line applications for interference suppression in various electronic circuits.

Range

- 0.001 to 10 MFD
- 310 VAC
- 7.5 mm to 37.5 mm pitch
- Tolerance options: $\pm 5\%$, $\pm 10\%$, and $\pm 20\%$

AC & Pulse Film Capacitors

Features

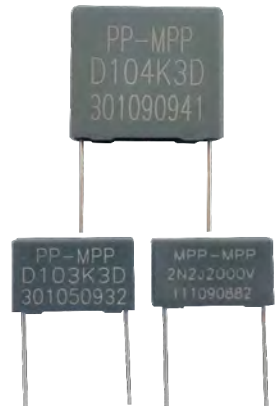
- Self-healing properties
- MPP/MPP, PP/MMPP, PP/MPP series construction
- Compact box-type design
- Suitable for high frequency and high voltage applications
- Can be used in AC voltage applications
- RoHS compliant

Applications

Ideal for SMPS, motor control circuits, deflection circuits in TV sets (flyback), monitors, electronic ballasts, snubber and SCR commutating circuits, and other applications with high voltage and high current requirements. Suitable for resonant capacitors, snubber applications and electronic ballasts.

Range

- MPP/MPP: 0.001 to 4.7 MFD, 1000 VDC to 3000 VDC
- PP/MMPP: 0.0001 to 3.3 MFD, 1000 VDC to 3000 VDC
- PP/MPP: 0.0068 to 3.3 MFD, 1000 VDC to 3000 VDC
- 15.0 mm to 52.5 mm pitch
- Tolerance levels: $\pm 2\%$ to $\pm 20\%$



Metallised Polypropylene DC Link Capacitors



Features

- Self-healing properties
- Low dissipation factor, long life and low ESR
- RoHS compliant

Applications

For use as intermediate circuit capacitors on PCBs, DC filtering, and in wind power inverters, solar power inverters, frequency converters, and high-power converters.

Range

- 1.0 to 2200 MFD
- Available in various sizes and shapes to fit specific application needs.

Metallised Polypropylene IGBT Snubber Capacitors

Features

- Good self-healing properties
- Low dissipation factor and long life
- High DV/DT
- RoHS compliant

Applications

Ideal for use in high voltage, high current and high pulse applications such as IGBT protection circuits, snubber network protection circuits in SMPS energy conversion and control in power electronics.

Range

- 0.047 to 6.8 MFD
- Available in a variety of sizes and terminal configurations to fit different applications and PCB layouts.



Customised Film Capacitors for Automotive Applications

With over three decades of experience in manufacturing film capacitors and deep technical expertise, Deki is capable of designing and producing bespoke solutions tailored to the specific needs of each customer in the automotive sector.





Deki Electronics Ltd

B-20 Sector 58, NOIDA 201 301, India
+91 120 2585457, 2585458 • mktg@dekielectronics.com
www.dekielectronics.com